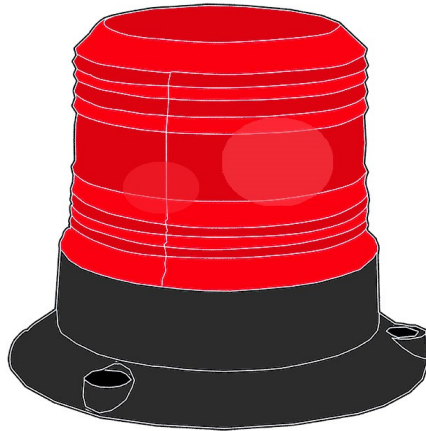


TextLight™ Visual Alarm Light

**WITH CELLULAR TRANSMITTER
USER GUIDE**



PumpAlarm.com

Copyright 2024,

Pumpalarm.com, LLC All Rights

Reserved, Ver 2.5

Email: support@pumpalarm.com

Table of Contents

Technical Support	5
Technical Specifications	6
Introduction & Unpacking	7
What's Included?	8
Safety Precautions	9-10
Panel Mounting Overview	11
Panel Mounting Instructions	12
Electrical Connections - 110–120VAC	14-17
Electrical Connection - 12VDC	18-21
Mounting Backup Battery	22

Device Activation	_____	24
Connecting to Cellular Network	_____	26
Advanced Text Message Feature	_____	27
Text Message Configuration	_____	28
Text Message Commands	_____	32
Text Message Summary	_____	35
System Power	_____	37
Alarm Input Time Delays	_____	38
Troubleshooting	_____	40
Status Indicators	_____	42
Product Safety, Use and Limited Warranty	_____	43

WARNING Not to be used as a visual public mode alarm notification appliance

WHAT DOES THIS MEAN?

To prevent misapplication of a visual signal appliance, it is the manufacturer's responsibility to warn the installer in the field and Authority Having Jurisdiction (AHJ) of what would be an inappropriate use of the product.

“Public Operating Mode” and “Notification Appliance” as defined in the National Fire Alarm Code, NFPA 72 is as follows:

Public Operating Mode - Audible or visible signaling to occupants or inhabitants of the area protected by the fire alarm system.

Notification Appliance - A fire alarm system component such as a bell, horn, speaker, light, or text display that provides audible, tactile, or visible outputs, or any combination thereof. In other words, this device should not be used as a component of a commercial fire alarm system.

Technical Support

Have questions or comments about your
TextLight™ Cellular Transmitting Alarm Light?
Please contact:



**Pumpalarm.com, LLC 203 W.
Morris Street Indianapolis, IN
46225**



support@pumpalarm.com



888-454-5051

FREE WORLD CLASS SUPPORT!

www.pumpalarm.com

Technical Specifications

- **Dual Input Alarm Channels: (1) 12VAC/VDC to 120VAC/VDC, (1) Dry Contact input**
- **Backup Battery: External 6VDC Sealed Lead Acid, 1.3 AH, Re-chargeable**
- **Operating Temperature: -20° to 150° F**
- **Operating Humidity: 0-90% RH, non-condensing**
- **Alarm Light Bulb: Super bright LEDs, long-life**
- **Alarm Light State: Pulses at 3Hz, when input is in alarm**
- **Cellular Radio: 4G LTE CAT-1**
- **Certifications: FCC Parts 15, 22, 24; RoHS compliant; IC: RSS-132 & 133**
- **Antenna: Integrated, on board**
- **Input Power: 120VAC +/-20% @ 0.5A max**
12VDC Version: 12VDC +/-15% @ 1.5A max
- **Enclosure: NEMA 4 equivalent rating for direct mounting indoors or outdoors**
- **Dimensions: 5"W round base x 5.9"H**
- **Weight: 2.5 lb.**
- **Protection: US Patent #7,228,129 and #7,778,633**

Introduction

World's Only Texting Alarm Light!

You've just purchased the best! The PumpAlarm.com TextLight™ combines a wireless cellular transmitter, and LED light source, into one convenient weather protected package. No matter your location, receive text alerts from your equipment when you need it most.

How does the TextLight™ Work?

The TextLight™ communicates alarm conditions to up to (3) primary phone numbers by text message alert. The TextLight™ is conveniently programmed by sending text messages from any phone that can send text messages, exempting the need for specialized software or support.

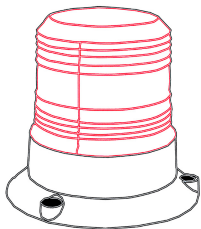
Unpacking

After unpacking your TextLight™, examine it for damage that may have occurred in transit. If the device has been damaged, do not attempt to install or operate it.

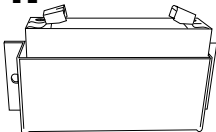
File a claim immediately with the carrier stating the extent of the damage. Carefully check all bags, shipping labels, and tags before discarding them.

What's Included?

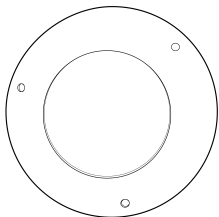
1.



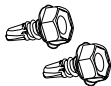
4.



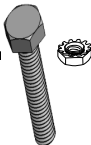
2.



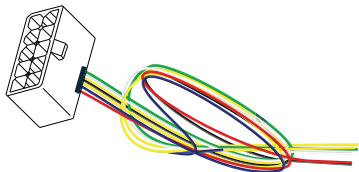
5.



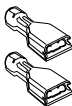
7.



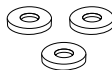
3.



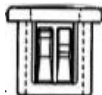
6.



8.



9.



1. TextLight

2. Control Panel Gasket

3. Quick Connect Field Wiring Harness, Color-coded

4. Backup Battery with Mounting Pocket

5. #10 Self Drilling/Tapping Screws (x2)

6. Quick Connect Terminals (x2)

7. Stainless Steel Screw and Nut (x3)

8. Silicone Sealing Washers (x3)

9. Bushing

Safety Precautions

SAFETY MESSAGE TO INSTALLERS, USERS, AND MAINTENANCE PERSONNEL

It is important to follow all instructions shipped with this product. This device is to be installed by a trained electrician who is thoroughly familiar with the National Electrical Code and will follow the NEC Guidelines as well as local codes.

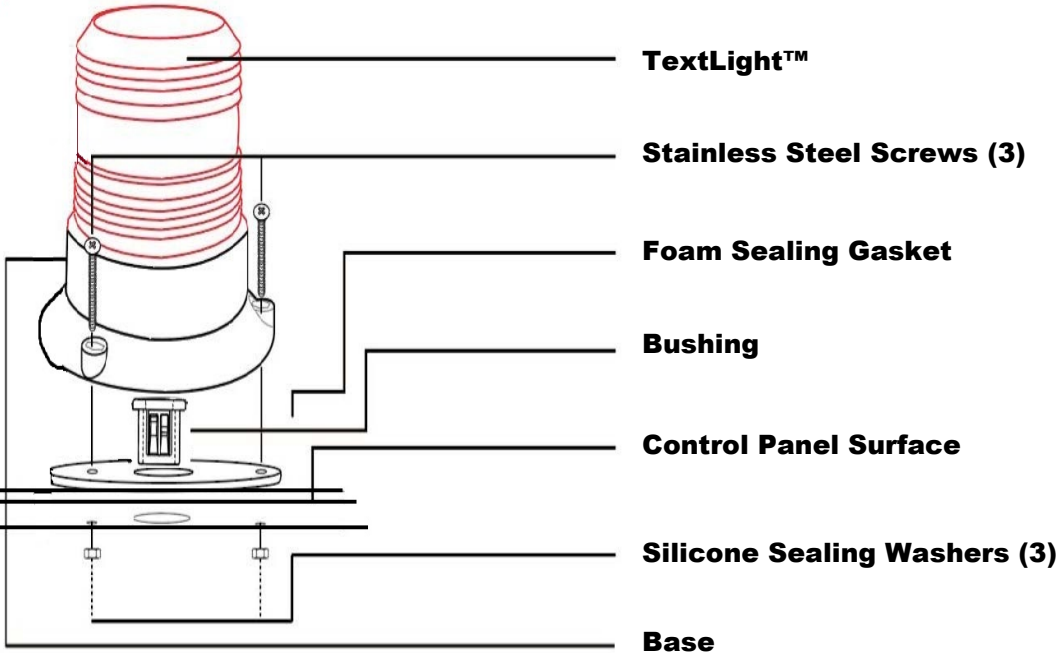
Installation of this device should be lead by the direction of the facilities engineer and the safety engineer. In addition, listed on the next page are some important safety precautions.

Failure to follow all safety precautions and instructions may result in property damage, serious injury, or death.

Safety Precautions

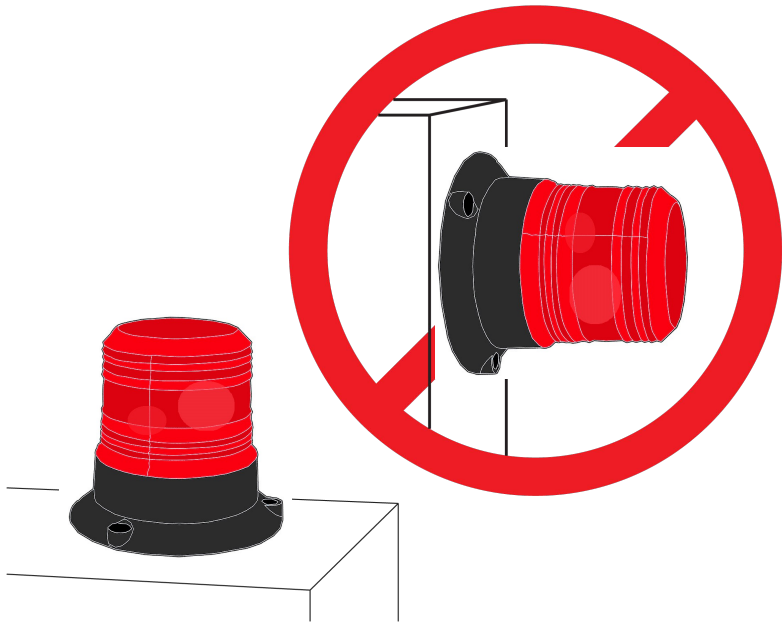
- **Read and understand all instructions before installing or operating the TextLight™ .**
- **Disconnect the TextLight™ from the power supply before any installation or maintenance is performed.**
- **After installation, test the TextLight™ to ensure that it is operating properly.**
- **After testing is complete, provide a copy of this instruction sheet to all operating personnel.**
- **Establish a procedure to routinely check the TextLight™ installation for integrity and proper operation.**
- **The product unit identification number should not be obscured in any way.**

Panel Mounting Overview



Panel Mounting Instructions

DO NOT SIDE MOUNT the TextLight™. Mount the TextLight™ in the vertical orientation only.



Panel Mounting Instructions

- (1) Using the base foam gasket as a drilling template, mark hole locations. Drill or punch three 3/16" holes and one 1-1/16" hole. Install bushing in hole to protect wires.**
- (2) Place the gasket on a mounting surface and line up three 3/16" holes for the Stainless Steel machine screws.**
- (3) Pass the TextLight™ wires through the bushing hole. Line up the three 3/16" holes with the mounting holes.**
- (4) Locate the three Stainless Steel machine screws and three Silicone Sealing Washers.**
- (5) Insert the Stainless Steel machine screws into the Silicone Sealing Washers, and then insert this into the 3 base holes. Attach the Stainless Steel nuts from the underside. Tighten the nuts securely.**
- (6) Refer to Electrical Connections section for wiring details.**

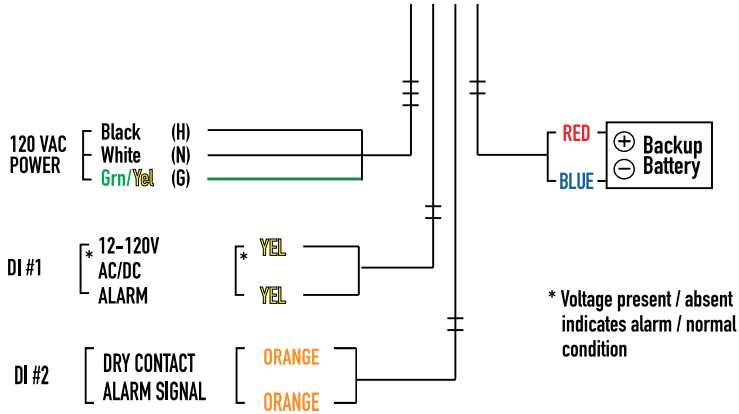
Electrical Connection - 110 - 120VAC

WARNING

To avoid electrical shock hazards, do not connect to supply circuit when power is energized.

The TextLight™ is supplied with a 6' field harness for easy electrical connection.

Wiring Detail



Electrical Connection - 110 - 120VAC

- (1) The field harness is preconnected to the TextLight™**
- (2) Route the wires to the desired location in the control panel and cut to length.**
- (3) Locate two - ¼” quick connectors and crimp to the Blue and Red wires.**
- (4) Connect the Red wire to the positive battery terminal.**
- (5) Connect the Blue wire to the negative battery terminal.**
- (6) Connect the Yellow wires DI #1 to desired powered alarm source (12v – 120v AC or DC).**
- (7) Connect the orange wires DI #2 to any unpowered alarm contacts. DO NOT connect voltages to the orange wires, or product damage will occur.**
- (8) Connect the Main power wires. Green/Yellow connects to earth ground, Black to Hot, White to Neutral.**

Six Conductor Wiring Diagram 110 - 120VAC Power

Backup battery connection. Quick connects included.

**Universal Voltage Alarm Input. Connect to 12VAC/
VDC - 120VAC/VDC alarm signal. (No polarity
required) Voltage present = alarm condition
No Voltage = non-alarm condition**

Non-powered, dry contact, input.

**Connect to user supplied 120VAC circuit capable of
supplying 0.5 Amps minimum.**

Red (+)

Blue (-)

Yellow

Yellow

Orange

Orange

Black (Hot)

White (Neutral)

Green/Yellow
(Earth Ground)



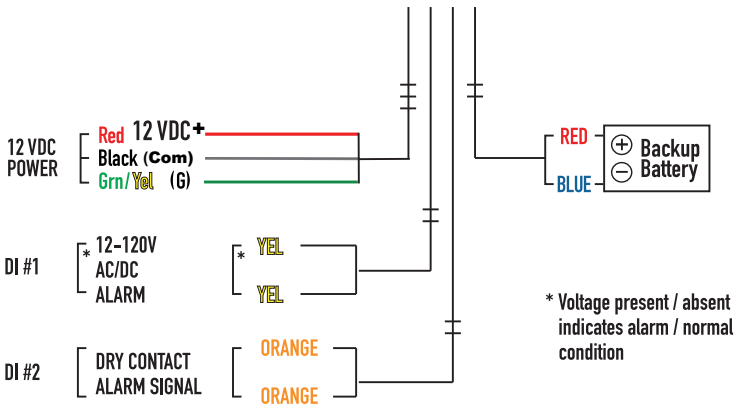
Electrical Connection - 12VDC Power

WARNING

To avoid electrical shock hazards, do not connect to supply circuit when power is energized.

The TextLight™ is supplied with a 6' field harness for easy electrical connection.

Wiring Detail



- (1) The field harness is preconnected to the TextLight™.**
- (2) Route the wires to the desired location in the control panel and cut to length.**
- (3) Locate two - ¼” Quick connectors and crimp to the Blue and Red wires.**
- (4) Connect the Red wire to the positive battery terminal.**
- (5) Connect the Blue wire to the negative battery terminal.**
- (6) Connect the Yellow wires DI #1 to desired powered alarm source (12v–120v AC or DC).**
- (7) Connect the orange wires DI #2 to any unpowered alarm contacts. DO NOT connect voltages to the orange wires, or product damage will occur.**
- (8) Connect the DC power wires; Green/Yellow to Earth Ground, Red to 12V+, and Black to DC Com.**

Six Conductor Wiring Diagram - 12VDC

**Backup battery connection.
Quick connects included.**

**Universal Voltage Alarm Channel. Connect to 12VAC/VDC - 120VAC/VDC
alarm signal. (No polarity required)
Voltage present = alarm condition
No Voltage = non-alarm condition**

Non-powered, dry contact, input.

**Connect to user supplied 12VDC circuit capable
of supplying 1.5 Amps minimum.**

Red (+)

Blue (-)

Yellow

Yellow

Orange

Orange

Red (12VDC +)

Black (Common -)

Green/Yellow
(Earth Ground)



Mounting Backup Battery

The TextLight™ is supplied with a 6 volt backup battery and mounting bracket.

- (1) Find suitable location for attaching the battery pocket inside the weather proof control panel. If the pocket is to be mounted on an exterior wall, take measure to prevent water from entering the enclosure through any penetrations made.**
- (2) Using the pocket as a template, mark and drill two 3/16” holes.**
- (3) Locate the two included #10-1/2” self tapping screws.**
- (4) Drill pilot holes for self tapping screws if control panel is heavy gauge metal. Drive self tapping screws through battery pocket mounting holes to complete pocket installation.**
- (5) Place the battery in the pocket and connect red and blue wires, observing correct polarity Red(+), Blue(-).**

- (6) Refer to Electrical Connections (page 14 or 18) section for wiring details.**
- (7) The TextLight™ will automatically charge this battery using a high quality, temperature compensated battery charger. This charger works anytime primary power is present. If battery will not charge, or becomes disconnected, a low battery alarm is issued. The backup battery allows TextLight™ to continue to monitor up to 12 hours after a primary power loss.**

Device Activation

The TextLight™ is a cellular device just like your portable cell phone. As such, all Pumpalarm.com devices require activation before they will transmit alarms. Please follow the instructions below to activate your device.

- (1) Navigate to www.pumpalarm.com/activate to launch the Customer Portal
- (2) Select an appropriate account type
 - If you are a new customer, select “New User” to create a new account
 - If you are an existing customer, select “Sign In” to log into your account

- (3) Take note of the device's Unit ID, which can be found on a label on the device. Click on the "Activate new unit" tab and enter your Unit ID.**
- (4) Please read and follow the instructions carefully as you progress through the activation process.**
- (5) Once you finish the activation process, Pumpalarm.com will be notified and will begin processing your activation request. Please allow up to thirty minutes to process your request.**
- (6) You will receive an email from Pumpalarm.com when device activation is complete.**
- (7) The notification email you receive from Pumpalarm.com will include your TextLight's™ phone number. Refer to page (28) for directions on how to configure the TextLight™ using text message commands from your cell phone.**

Connecting to Cellular Network

- (1) As soon as TextLight™ is connected to power, it will turn on and attempt to connect with the cellular network.
- (2) While TextLight™ is attempting to connect, the small LED status light on the circuit board will blink **red**.
- (3) Wait for the status light to blink **green**; this may take up to 15 minutes. The blinking light indicates that the unit is in configuration mode. After, the status light will turn solid **green**.

*The status light may start blinking **red** rapidly. If the status light rapidly blinks **red** for more than 1 minute, refer to the troubleshooting section of this manual.*

NOTE: The status light is the tiny LED light on the main circuit board. It is NOT the large alarm light cluster. The tiny status LED is located under the TextLight™ red protective lens, and can be faintly seen through the lens. Don't worry, this small LED is only used during startup to trouble-shoot weak cellular signals, and is not used after startup is complete.

Advanced Text Message Features

The TextLight™ features advanced text messaging capabilities that allows users to interact with the device from any cellular phone with text messages. The TextLight™ has a unique phone number, just like cellular phones have. Users can send text commands directly to the device's phone number from their cell phone.

When the device first starts up, it enters “configuration mode”, which allows it to process text message commands from any phone number. It will stay in “configuration mode” for 15 minutes and then it enters “normal mode”. In “normal mode”, the device will only respond to commands that it receives from phone numbers that have been configured in the device. If there are no phone numbers configured in the unit, or if the phone number that you are sending commands from is not configured in the device, the device will not process the commands. This is a security measure to prevent unauthorized access to the device via text messages.

Text Message Configuration

(1) Save the device's phone number (which you received via the activation email) as a contact in your mobile device with an appropriate name, such as "Cherry Hill Lift Station."

Phone #: (555) 123-4567 →



A screenshot of a mobile contact card. The card has a rounded rectangular border. At the top left is a small rounded square button with the text "add photo". To its right is the name "Cherry Hill". Below the name are three stacked rectangular fields: "Last", "Company", and "Mobile (555) 123-4567". Below the "Mobile" field is an "iPhone" field. A small minus sign icon is located to the left of the "Mobile" field.

(2) Power cycle the TextLight™ so the device enters "configuration" mode. The unit will stay in configuration mode for 15 minutes.

NOTE: You will have to unplug the battery to power cycle the TextLight™. Plug the battery in once power is cycled.

(3) Wait for the status LED to blink green. This may take a couple of minutes. The blinking light indicates that the unit is in configuration mode. Once finished, the status light will turn solid green.

(4) Create and send a text message to the unit phone number that you saved in Step 1 and include the following in the body of the message:

phone1 5557654321

(5) Replace 5557654321 with your 10-digit phone number. This phone number is saved to position #1, and will receive text messages from the TextLight™.

Programming phone 1

phone1 5557654321

EXAMPLE MESSAGE

(6) If programming of your phone was successful, you will receive a Settings and Help text message to the phone number you just entered. If programming phone1 was successful, then you will receive the message below..

Unit Settings

Name: Unit 45612

#1 5557654321

#2

#3

Contractor:

Contact:

If you want notifications to additional phones, you can repeat this process with up to two additional phones, using phone2, phone3 commands.

phone (888) 454-5051

PumpAlarm.com

www.pumpalarm.com

(7) Create and send a text message to the unit phone number that you saved in Step 1 and include the following in the body of the message:

Status

The unit will respond with the current status of the device.

Input #1: OK

Input #2: OK

AC Pwr: OK

Batt: 6.4 V OK

Signal: -73 dB OK

Text Message Commands

Settings	Returns the current settings of the TextLight™ in three separate messages
Status	Returns the current status of the TextLight™
Help	Requests a help message with a list of commands
Setup	Requests a series of three messages that have the most used commands
PhoneX [Phone number]	Configures phone numbers in the TextLight™, where X is 1, 2, or 3
PhoneX none	Clears phone numbers in the TextLight™, where X is 1, 2, or 3
Name [Device Name]	Names the device up to 20 characters. When you receive an alarm message from TextLight™, this unique name will let you know where it is located, or the equipment being monitored. Example: Pump station #5

InputX [Input Name]	Names the alarm channel input, up to 20 characters, where X is 1 or 2. Example: High Water Alarm
CtypeX [NO/NC]	Configures the contact type for the input (NC = normally closed, NO = normally open), where X is 1 or 2. Default state is NO.
DelayX [Seconds]	Sets input delay time in seconds up to 9999. Default delay is 5 seconds for each input alarm channel.
AlertX Sounder	Configures the unit to allow only the sounder to be triggered during an alarm condition. X is input 1 or 2.

Text Message Command Summary (Cont.)

PwrDelay [Seconds]	Sets power loss alarm delay time in seconds up to 9999. Default power delay is 60 seconds
Test	Sends a test message to all phone numbers configured in the unit
Contractor* [Contractor Name]	Set the contractor name to append to end of alarm messages, up to 20 characters
Contact [Phone Number]	Advertises your company phone number to append to end of alarm messages, up to 14 characters
Sponsor [Sponsor Name]	Sets the sponsor name to append to end of alarm messages, up to 25 characters. Contractor settings override sponsor

Text Message Summary

The TextLight™ sends numerous messages to indicate alarm and system status. The list below is a summary of the text messages the TextLight™ sends.

Input Alarm Messages:

[Device Name] has detected an alarm condition for [Input Name] at 00:00AM on MM/DD/YY.

[Device Name] has detected a normal condition for [Input Name] at 00:00AM on MM/DD/YY.

Power Loss Messages:

[Device Name] has detected that electrical power was lost at 00:00AM on MM/DD/YY.

[Device Name] has detected that electrical power was reestablished at 00:00AM on MM/DD/YY.

Battery Messages:

[Device Name] has a low battery at 00:00AM on MM/DD/YY.

[Device Name] has a critically low battery at 00:00AM on MM/DD/YY.

Text Message Summary (Cont.)

Test Messages:

[Device Name] is operating correctly at 00:00AM
on MM/DD/YY.

Settings Messages:

Name: Device Name

Phone1: Phone #1

Phone2: Phone #2

Phone3: Phone #3

Input1 12-120VAC/DC: Input Name,
NC, 5sec **Input2 Non-Powered:** Input
Name, NC, 5sec **PwrDelay:** 60sec

Contractor: Contractor Name

Contact: Contact Information

Sponsor: Sponsor Name

Status Message:

Input #1: [OK/ALERT!]

Input #2: [OK/ALERT!]

AC Pwr: [OK/NONE]

Batt: #.# V [OK/LOW/CRITICAL]

Signal: -### dB [OK/WEAK]

System Power

This product utilizes a 6V sealed lead acid battery to keep the system powered during primary power loss. The default alarm delay for power loss is 60 seconds. When primary power is lost for 60 seconds, the device will transmit an alarm condition. Once primary power has been restored for 60 seconds, the device will transmit a return to normal condition.

The battery will supply power for at least 12 hours with a full charge. The system takes about 24 hours to recharge a fully discharged battery. The battery is considered charged when the voltage is 6V or higher; low at 5.75V, and critically low at 5.55V and lower. The system automatically shuts down when running from the battery if the voltage drops to 5.25V.

The power loss alarm delay time can be reconfigured by sending the “PwrDelay” text command to the device. For example, to configure a 30 second power loss delay time, send the command “PwrDelay 30”. See section "Text Message Commands" on page 32 for information on how to use text features.

Alarm Input Time Delays

The TextLight™ has two alarm inputs, each with different operation.

Input #1 | Powered input and can accept 12V to 120V AC or DC. Input #1 is also connected to the primary annunciator (LED) and will trigger the flashing light.

Input #2 | Non-powered, dry-contact input – do not apply voltage to this input or it will be damaged. This input is designed to read a contact closure only. Input #2 is also connected to the primary annunciator (LED) and will trigger the flashing light.

The default alarm delay for both inputs is 5 seconds. If an input is in alarm for 5 seconds, the device will transmit an alarm condition. When the input returns to normal for 5 seconds, the device will transmit a return to normal condition.

The input delay times can be reconfigured by sending the “DelayX” SMS command to the device. For example, to configure a 15 second delay time for input 2, send the command “Delay2 15”. See section “Advanced Text Features” on page 27 for information on how to use Text features.

Troubleshooting

Problem

Cause

The status light is flashing red quickly

Bad cellular signal strength

An error has occurred

Text messages arrive out of order and/or text messages arrive late

Poor cellular signal strength

Solution

Move the device to an area with better cellular reception, away from metal objects, or to a higher elevation.

Power your device off for 10 seconds and power it back on.

Move your device to an area with better cell reception. Or, the network may be temporarily congested, there is no remedy for network congestion, or network outages.

Status Indicators

The TextLight™ uses a red and green LED, to indicate the status of the device. The table below describes the various status and the corresponding blink/beep patterns.

Status	Blink Pattern
Error (Dead radio, radio error, could not send)	Red rapid blinks
Not Ready (Starting up, bad signal strength or bad network registration)	Red 2 blinks
Ready	Green solid
Configuration mode	Green 1 blink
Transmitting	Green 2 blinks

NOTE: The red/green LED indicators are the tiny LED on the main circuit board and are NOT the primary Alarm Light LED cluster.

Product Safety, Use & Limited Warranty

The following safety and use information and Limited Warranty applies to products sold by Pumpalarm.com, LLC (“Pumpalarm”) to you the end-user (“You”) a TextLight namely an alarm with text notification capability, related accessories such as sensors (collectively “Products”), and cellular service, which is required in order for the alarm to send notification text messages (“Services” collectively with products “Products and Services”).

Product Safety and Use Information

IMPORTANT: Use only supplied battery and with your products. Routinely check the battery in products; failure to routinely check the battery may result in the failure of products to function during a loss of power. Routinely check the strength of the cellular signal to products and/or perform tests to check the text notification capability of the products.

WARNING: Products use electricity in the presence of water, therefore your safety and the safety of others depends upon you thoroughly reading and understanding the Installation Guide. If you have questions or do not understand the information presented in the Installation Guide, please call 888-454-5051. Be sure that electrical cords used are not frayed or placed in a location where they can pose a danger. To reduce the risk of fire, electric shock, injury or death, always disconnect all sources of electrical power before servicing or cleaning; do not touch the electrical terminals or controls with wet hands; and do not tilt, jolt or tip products while powered-on. Never disassemble products. Never allow children to use products.

phone (888) 454-5051

PumpAlarm.com

www.pumpalarm.com

CAUTION: Products are cellular devices and must be activated before use. Please visit Pumpalarm.com/activate to activate your products. You must have a cellular device in which to communicate with products. Pumpalarm.com utilizes automatic bill pay as a convenience to its customers and to ensure continuity of cellular service. Pumpalarm.com will notify you before cellular service is to be renewed and before the credit card you provided during activation is charged. If Pumpalarm.com is not able to successfully bill for the cellular service, Pumpalarm.com has the right to immediately disconnect cellular service to your products and your products will no longer send text notifications.

NOTE: Upon delivery, inspect contents immediately and file claim with delivery carrier for any damage. Pumpalarm.com recommends saving the original box and packing material. You are responsible for damage to Products if returned to Pumpalarm.com improperly packed.

NOTE: Pumpalarm.com primary method for contacting you is via email. Please add us as a contact to ensure delivery of these emails. Please promptly update your email address with us if it changes.

LIMITED WARRANTY: Pumpalarm.com, LLC (“Pumpalarm”) warrants to You that products will be free from defects in materials and workmanship under normal use and service for one (1) year from the purchase date. A claim under this Limited Warranty must be presented during the Limited Warranty period and within thirty (30) days after any covered condition has occurred. A claim under this Limited Warranty shall be satisfied by either, in Pumpalarm.com sole discretion, repairing or replacing the products and/or part. Replacement products may be new or reconditioned.

To make a claim under this Limited Warranty, Pumpalarm.com must first issue You a Returned Material Authorization (RMA) number. This number can be obtained by contacting Pumpalarm.com and a copy will be provided by email. A copy of the RMA must be included with any materials shipped to Pumpalarm.com.

The entirety of Products must be sent back to Pumpalarm.com (unless specifically listed otherwise on the RMA form) and properly packaged to ensure against damage during shipping. If Pumpalarm.com determines that the claim is covered by this Limited Warranty, Pumpalarm.com will either, in its sole discretion, repair or replace the products and/or part. Any damages not covered under this Limited Warranty will not be repaired until a written purchase order or credit card is received.

The Limited Warranty period shall not be extended by the replacement or repair of products or parts under this Limited Warranty but the remaining Limited Warranty period shall continue in effect and be applicable to the replaced or repaired products or parts under conditions of the Limited Warranty. Payment for cellular service covers only cellular transmission fees and in no way extends any portion of this Limited Warranty. This fee does not include out-of-warranty service or repair.

The cellular service provided in conjunction with the purchase and use of products and services is not guaranteed, and Pumpalarm.com cannot and does not guarantee or represent that cellular service will be available in your area nor that cellular service will be continuous and uninterrupted in your area. It is your responsibility to determine if cellular coverage is available in your area and to monitor the warning light on products and services to determine the cellular signal strength to products and services.

You should contact Pumpalarm.com for assistance if needed. If cellular service is not available in your area, then your sole remedy is to return Products and Services as provided for in Pumpalarm.com's Return Policy as found at www.pumpalarm.com. As such, Pumpalarm.com is not liable for any causes of action, losses or damages of any kind whatsoever arising out of mistakes, omissions, interruptions, errors, or defects in the provision of cellular service and failures or defects in the cellular network.

Upon expiration of the Limited Warranty period, all liability of Pumpalarm.com shall be terminated. This Limited Warranty does not apply in the following cases: failure to follow installation and operating instructions, misuse, alteration, abuse, accident or tampering, and repair by anyone other than Pumpalarm.com.

THIS LIMITED WARRANTY IS EXCLUSIVE AND EXPRESSLY IN LIEU OF ALL OTHER WARRANTIES, OBLIGATIONS OR LIABILITIES, WHETHER WRITTEN, ORAL, EXPRESS OR IMPLIED, INCLUDING ANY WARRANTY OF MERCHANTABILITY OR FITNESS FOR A PARTICULAR PURPOSE.

IN NO CASE SHALL PUMPALARM.COM BE LIABLE FOR ANY CONSEQUENTIAL OR INCIDENTAL DAMAGES FOR BREACH OF THIS WARRANTY OR ANY OTHER WARRANTIES WHATSOEVER.

This Limited Warranty gives specific legal rights. You may have other rights, which vary from state to state. Some states do not allow the exclusion or limitation of incidental or consequential damages, so that the above limitation of exclusion may not apply to you. You, the individual user, should take care to determine prior to use whether products and services are suitable, adequate or safe for the use intended. Since individual applications are subject to great variation, Pumpalarm.com makes no representation or warranty as to suitability or fitness of products and services for any specific application.

Pumpalarm.com makes no representation that products and services will reduce any risk of property loss or personal injury or prolong the life of any equipment or other property; or that products and services will in all cases provide adequate warning and protection. You understand that products and services if properly installed and maintained may only reduce the risk of property loss or other loss but products and services are not an insurance or a guarantee that there will be no property loss or other loss as a result.

CONSEQUENTLY, PUMPALARM.COM SHALL HAVE NO LIABILITY FOR ANY PROPERTY DAMAGE, PERSONAL INJURY OR OTHER LOSS BASED ON A CLAIM THE PRODUCTS AND SERVICES FAILED TO GIVE WARNING.

However, if Pumpalarm.com is held liable, whether directly or indirectly, for any loss or damage arising under this Limited warranty or otherwise, Pumpalarm.com's liability shall be limited to the purchase price of products and services purchased and paid for by you, which shall be the complete and exclusive remedy against Pumpalarm.com.

PumpAlarm.com

**203 West Morris Street
Indianapolis, IN 46225
Phone: 888-454-5051
Email: Support@pumpalarm.com**

Visit us online at

PumpAlarm.com

**203 West Morris Street
Indianapolis, IN 46225
Phone: 888-454-5051
Email: Support@pumpalarm.com**